



8000N Series

Tubeaxial

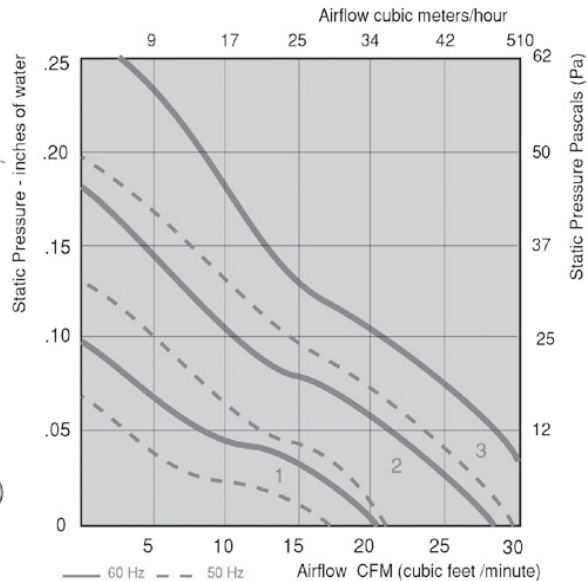
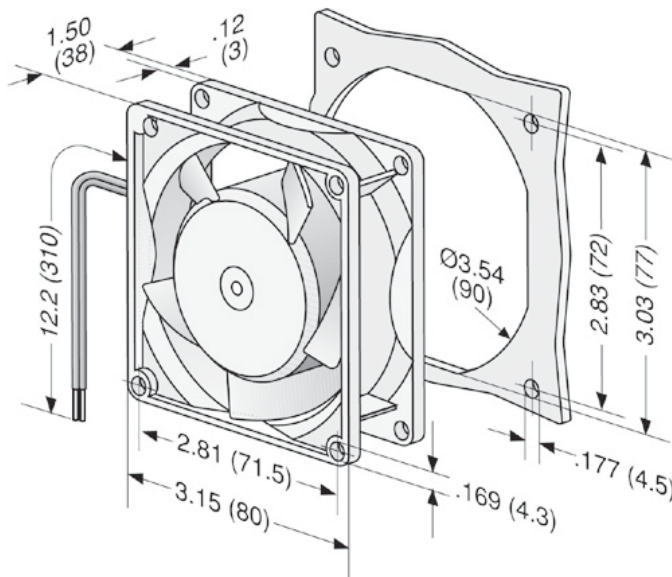
80x80x38mm

- AC fans with external rotor shaded-pole motor. Impedance protected against overloading.
- Metal fan housing and impeller.
- Air exhaust over struts. Rotational direction CW looking at rotor.
- Mounting from either face using four 4.3 mm holes.
- Electrical connection via 2 leads. Stripped and tinned ends.
- Fan housing with ground lug and screw M 4 x 8 (TORX).
- UL, CSA, VDE approvals on some models, please contact application engineering.

Part Number	Curve	CFM @ 0	VAC	Hertz	Power (W)	dBA	Max Amb. Temp C	Bearing Type	Speed (RPM)	Features	Wgt. (lbs)
8830N	1	21	115	50/60	8	21	80	Sintec	1950	Leads	1.06
8800N	2	28	115	50/60	11	28	70	Sintec	2500	Leads	1.06
8500DP	3	36	115	50/60	11	34	75	Sintec	3200	Leads	1.06
8500N	3	36	115	50/60	11	34	75	Sintec	3200	Leads	1.06
8506N	3	36	115	50/60	11	35	95	Ball	3300	Leads	1.06
8880N	1	21	230	50/60	8	21	80	Sintec	1750	Leads	1.06
8850N	2	28	230	50/60	11	28	70	Sintec	2150	Leads	1.06
8550N	3	36	230	50/60	11	34	75	Sintec	2700	Leads	1.06
8556N	3	36	230	50/60	11	35	95	Ball	2800	Leads	1.06

Note: 8500DP has a 5 year warranty.

Fan Type				Lead Wires	
8830 N	8800 N	8550 N	8500 N	310 mm long	AWG 18, TR 64
8556 N	8506 N			310 mm long	AWG 22
8880 N	8850 N			440 mm long	AWG 18, TR 64



ebmpapst

e-mail: sales@us.ebmpapst.com · TEL: 860-674-1515 · FAX: 860-674-8536

ebm-papst Inc., 100 Hyde Road, Farmington, CT 06034 USA

ebm-papst Inc., 2004 © ebm-papst Inc. reserves the right to change any specifications or data without notice